



Installation Instructions

DANGER

This symbol is used to indicate the presence of hazards that will cause severe personal injury, death or equipment damage.

WARNING

This symbol is used to indicate the presence of hazards that can cause severe personal injury, death or equipment damage.

CAUTION

This symbol is used to indicate the presence of hazards that can cause minor personal injury or equipment damage.

WARNING

Disconnect alternator, batteries, and any other auxillary equipment before removing cables. Failure to do so can result in severe personal injury.

1. Install N2013 in location specified by vehicle manufacturer, using mounting hardware and torque specified by vehicle manufacturer.

DANGER

Do not exceed recommended torque. Component damage will result.

2. Connect number of cables and cable placement as specified by vehicle manufacturer. See Figure 1 for reference. Use proper stacking order as specified by vehicle manufacturer. Tighten to specifications shown in Figure 2 on page 2.

DANGER

Do not exceed recommended torque. Component damage will result.

CAUTION

Typically, no more than two cables per terminal are recommended for the power carrying capacity of the terminal.

CAUTION

Support cables as specified by vehicle manufacturer. Failure to do so can cause component damage.

3. Test components to make sure they operate properly.

See Vehicle Manufacturer Specifications for Cable Identification at This Location

See Vehicle Manufacturer Specifications for Cable Identification at This Location

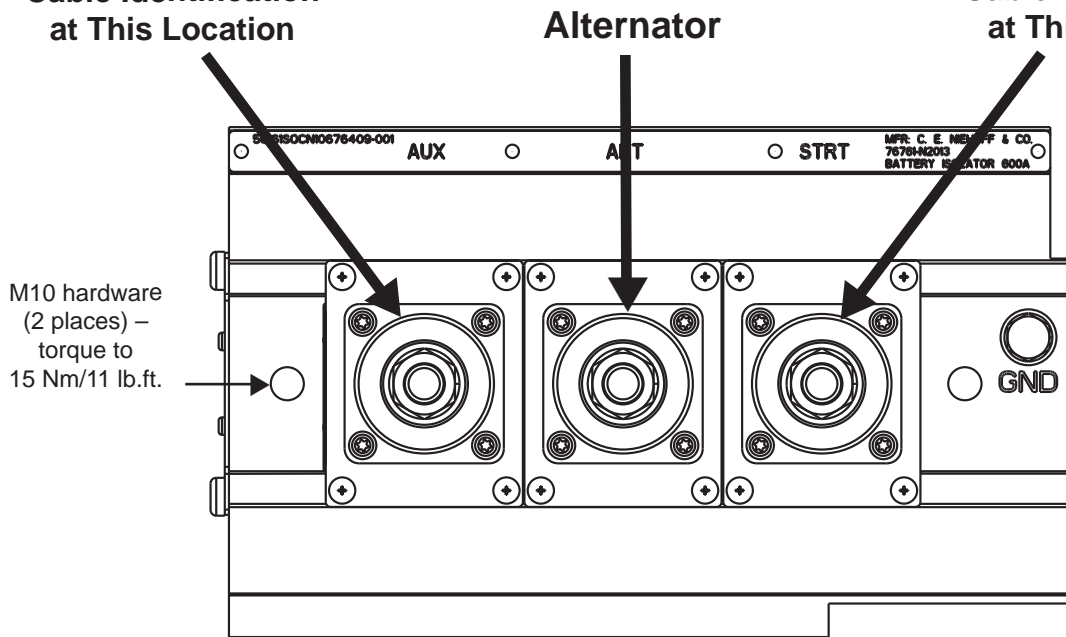


Figure 1 - Cable Locations

DANGER

Do not exceed recommended torque. Component damage will result.

CAUTION

Typically, no more than two cables per terminal are recommended for the power carrying capacity of the terminal.

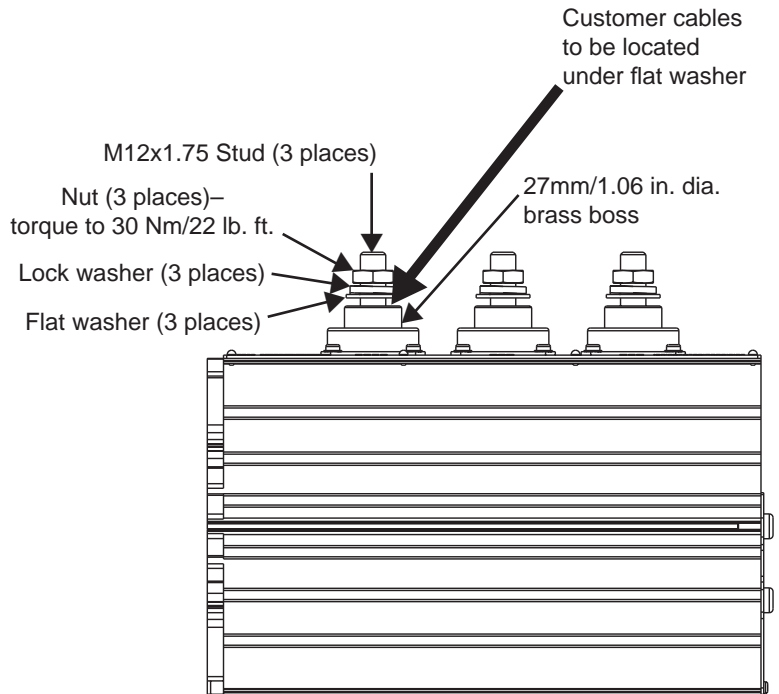
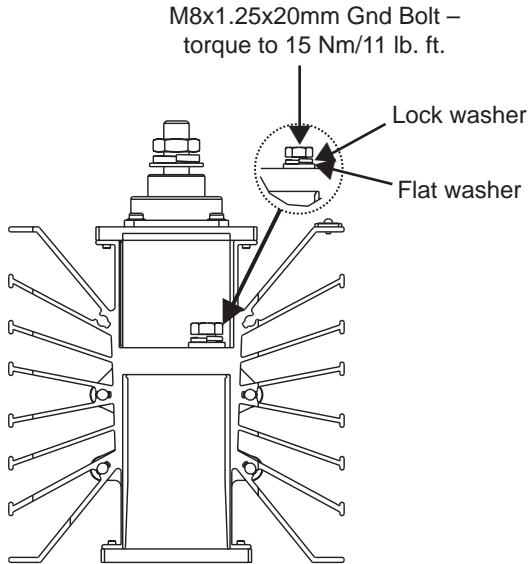


Figure 2 - Hardware Stacking Order and Torque (See Step 2 on Page 1)

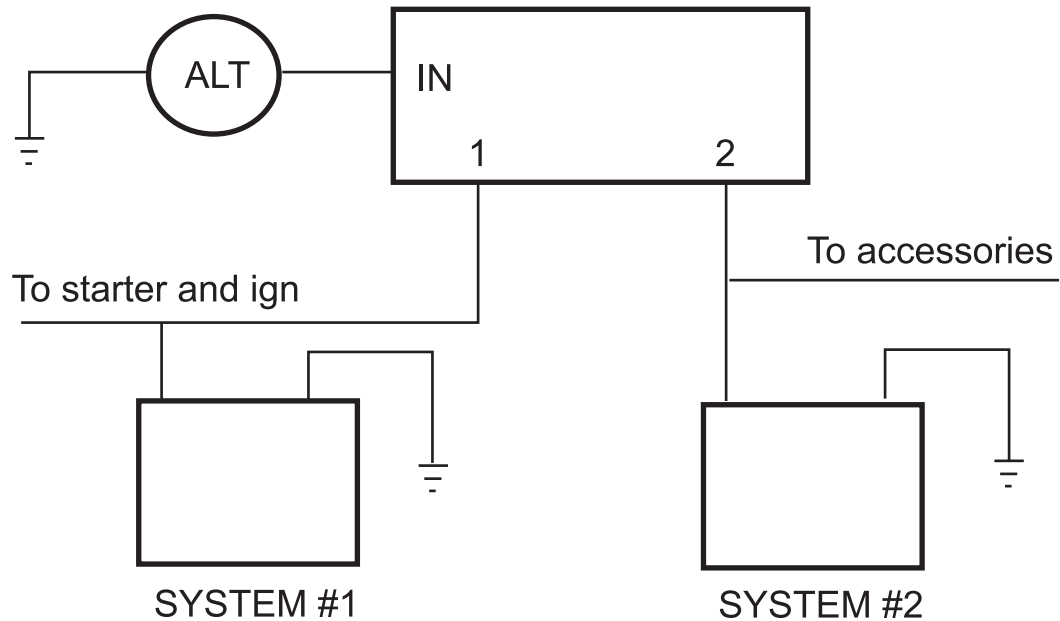


Figure 3 - Simple Wiring Schematic for Reference Only—See Vehicle Manufacturer Specifications