

CAUTION

This symbol is used to indicate the presence of hazards that can cause minor personal injury or equipment damage.

INSTALLATION

1. A8-128 Power Management System should be installed as close to the main battery compartment as possible to minimize the effect of voltage drops along power cables. The PMS is grounded to its case and will require external grounding by installing directly on grounded chassis (connected to battery ground) or direct grounding through properly sized cable installed on one of the six screws holding the PMS to chassis and then connected directly to the battery ground. See below for stacking order and torque.

CAUTION

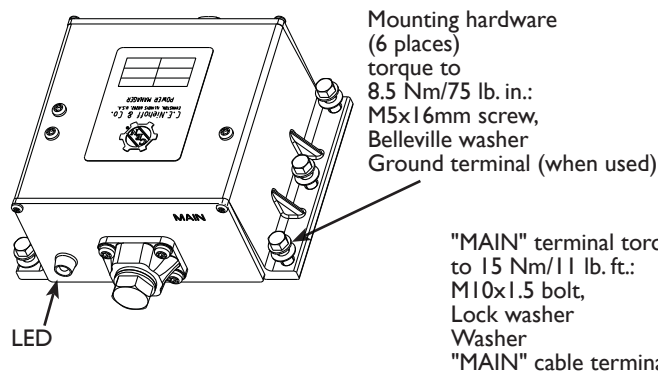
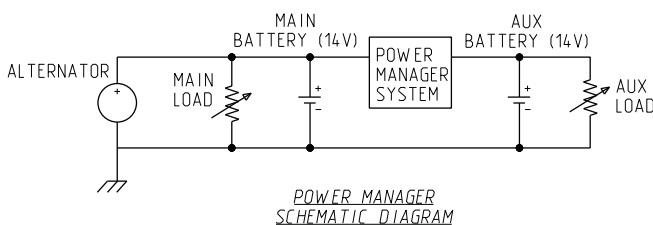
Make sure cables are properly sized and supported within 305mm/12 in. of PMS. Failure to do so can cause component damage.

2. Cable connections (see below for stacking order and torque):

a. Connect "MAIN" cable from "MAIN" terminal on PMS to either the alternator output cable or positive terminal of the "Main" (engine starter) battery. See below for stacking order and torque on PMS "MAIN" terminal. Make sure the LED located next to the terminal remains visible after cable is connected.

CAUTION

Make sure cables are properly sized and supported within 305mm/12 in. of PMS. Failure to do so can cause component damage.



b. Connect "AUX" cable from "AUX" terminal on PMS to either an auxiliary load or the positive terminal of an Auxiliary Battery system.

CAUTION

Make sure cables are properly sized and supported within 305mm/12 in. of PMS. Failure to do so can cause component damage.

3. Schematic diagram is shown below.
4. Test all components to make sure they operate properly.

A8-128 SYSTEM OPERATION

A8-128 Power Management System (PMS) is programmed to automatically connect the "MAIN" source positive polarity (B+) to the positive polarity "AUX" battery or loads. The PMS automatically disconnects the "AUX" from "MAIN" if an overload condition occurs. The PMS functions as both battery isolator and automatic load switching system.

A8-128 LED Status	
LED COLOR	STATUS
OFF	No power present on "MAIN" terminal.
GREEN	Power of "MAIN" terminal appears at "AUX" terminal (switch is closed).
AMBER	Power of "MAIN" terminal does not appear at "AUX" terminal (switch is open). Normally due to an overload condition that caused switch to open. PMS automatically resets by resolving cause of overload condition.

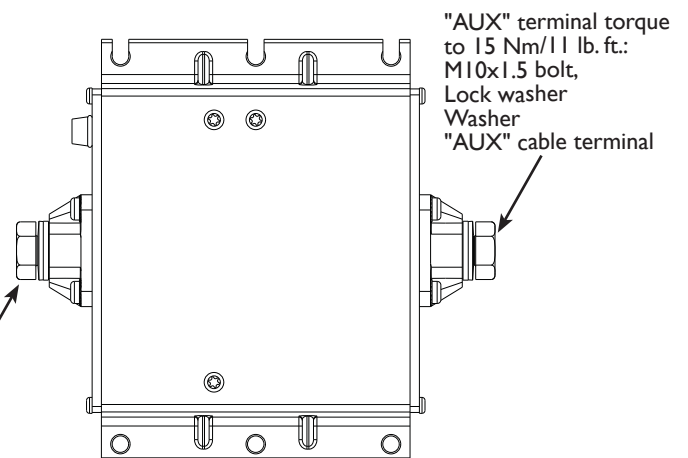


Figure 1 – A8-128 Power Management System (PMS)

If you have questions about your alternator or any of these instructions, or if you need to locate a Factory Authorized Service Dealer, please contact us at:

C. E. Niehoff & Co. • 2021 Lee Street • Evanston, IL 60202 USA
 TEL: 800.643.4633 USA and Canada • TEL: 847.866.6030 outside USA and Canada • FAX: 847.492.1242
 E-mail us at service@CENiehoff.com