



**C626 Alternator Installation**

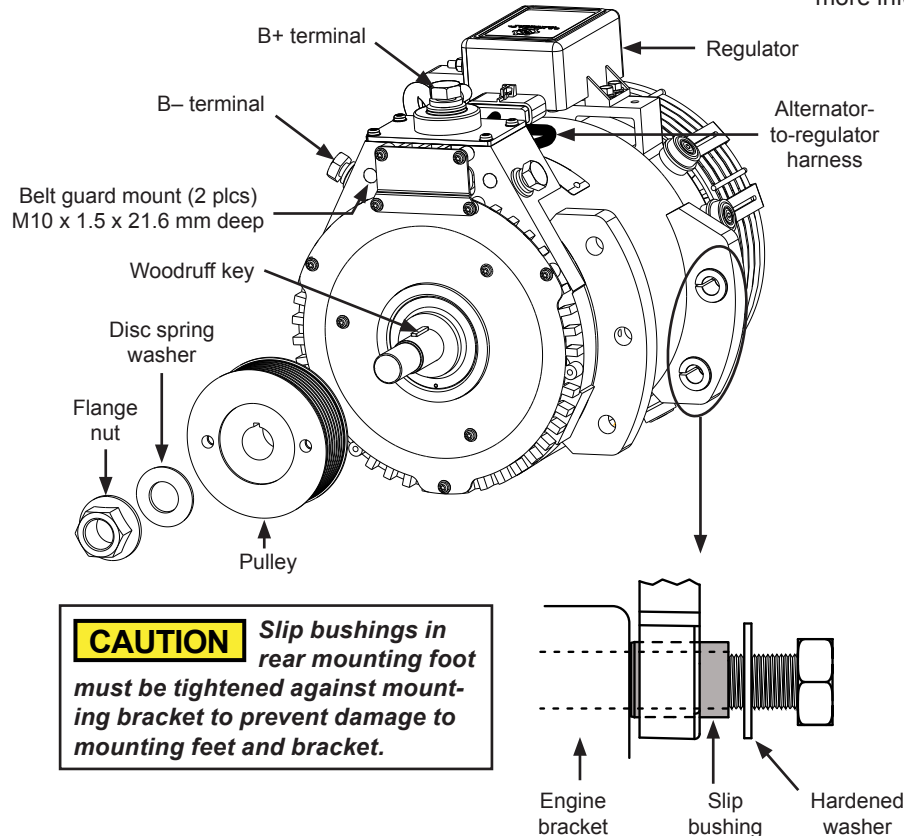
CEN model C626 is a custom flange mount, negative ground alternator rated at 28V/260A.

Follow these instructions to ensure proper installation.

1. Alternators not shipped with pulley are shipped with shaft collar, disc spring washer, and flange nut installed. Remove and discard shaft collar. Make sure Woodruff key is securely wedged and level in shaft slot.
2. Install pulley, furnished disc spring washer (beveled side facing pulley), and flange nut on shaft. Torque nut to 163 Nm/120 lb. ft. See Figure 1.

**CAUTION** Do not hammer pulley when installing pulley on shaft. Carefully slip-fit pulley over shaft to prevent Woodruff key from moving out of place.

3. Install alternator on mounting bracket according to vehicle/engine manufacturer's specifications. Use hardened flat washers between mounting surfaces and bolt heads or lock washers. Mounting bolts should be Grade 10 (Metric class 10.9), minimum.



**CAUTION** Slip bushings in rear mounting foot must be tightened against mounting bracket to prevent damage to mounting feet and bracket.

Figure 1: C626 Alternator Installation

**CAUTION** Slip bushings in rear mounting foot must be tightened against mounting bracket to prevent damage to mounting feet and bracket. See detail in Figure 1.

4. Tension belt to vehicle manufacturer's specifications.
5. Connect vehicle B+ cable to alternator B+ terminal and install terminal hardware in stacking order shown in Figure 2. Torque hardware to 32 Nm/24 lb. ft.
6. Connect vehicle B- cable to alternator B- terminal and install terminal hardware in stacking order shown in Figure 3. Torque hardware to 15 Nm/11 lb. ft.

**NOTICE** Wire gauge for alternator B+ cable must be capable of handling maximum alternator output with minimum voltage drop. All cables must be supported within 305 mm (12 in.) to prevent twisting, loosening, and damage to terminals.

7. Install belt guard (if required) per vehicle/engine manufacturer specifications. Fasten to drive end of alternator using two M10 x 1.5 screws. Torque to 15 Nm/11 ft. lb. See Figure 1.
8. Install regulator according to instructions on page 2. If using CEN smart regulator, see installation instructions II317 for more information.

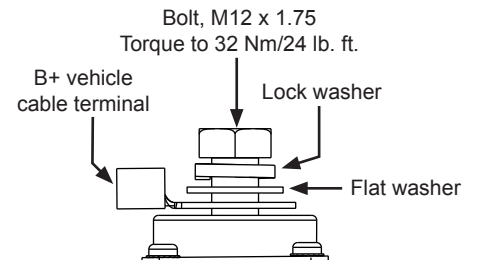


Figure 2: B+ Terminal Hardware Stacking Order

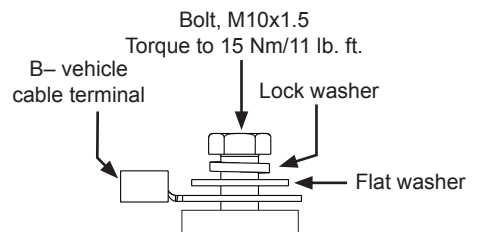


Figure 3: B- Terminal Hardware Stacking Order

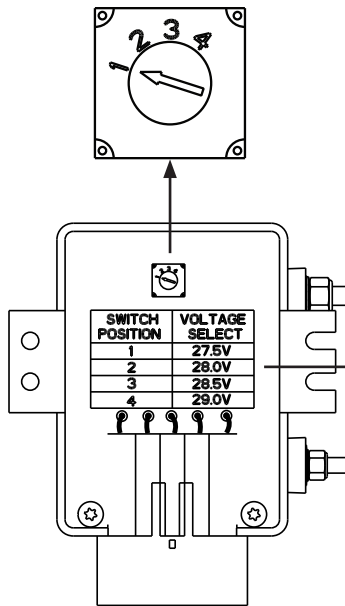
## Regulator Installation

1. Turn regulator over and make sure set point of switch at bottom of regulator is appropriate for type of battery used in vehicle. If necessary, change switch set point. See Figure 4 and Table 1 for voltage set point options.
2. Mount regulator on alternator anti-drive end housing as shown in Figure 1 on page 1, using included hardware shown in Figure 5 below. Torque mounting screws to 8.5 Nm/75 lb. in.
3. Securely plug alternator-to-regulator harness into receptacle on regulator. See Figure 5.
4. Connect regulator terminals as required by vehicle:
  - D+ terminal (if required) provides DC system battery voltage to vehicle (5A maximum) for charge indicator lamp, relay, or multiplex while alternator is producing output. Torque terminal hardware to 4.5 Nm/40 lb. in. See Figure 5.
  - P/AC terminal (if required) taps AC voltage from alternator, typically half the charge voltage (3A maximum). P/AC terminal provides alternator RPM frequency at 10:1 ratio for use with tachometer. See Figure 5.

### NOTICE

*If using relay for R/P/AC circuit, coil must be diode-protected and properly rated.*

5. If using CEN smart regulator, see installation instructions I1317 for more information.



Switch Position	Voltage Select
1	27.5V (factory default)
2	28.0V
3	28.5V
4	29.0V

Figure 4: Regulator Voltage Select Switch and Label

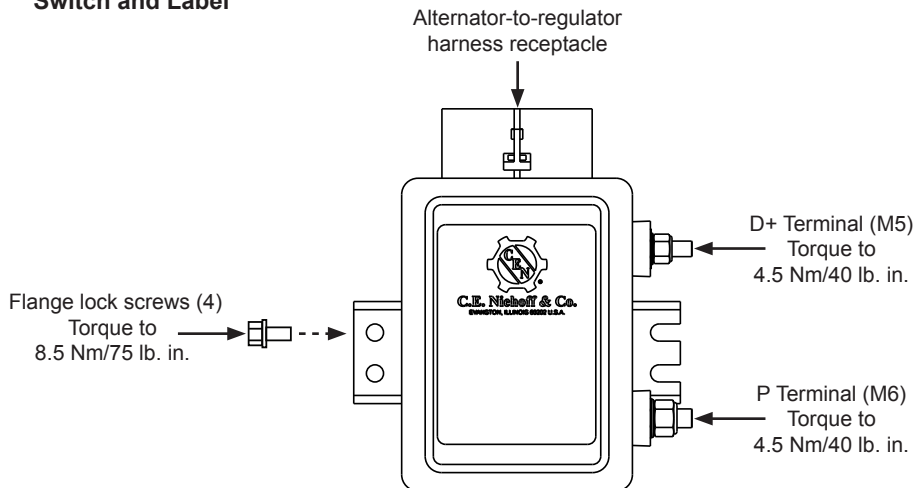


Figure 5: Typical Regulator Connections

If you have questions about your alternator or any of these instructions, or if you need to locate a Factory authorized Service Distributor, please contact us at:  
 C. E. Niehoff & Co. • 2021 Lee Street • Evanston, IL 60202 USA  
 TEL: 800.643.4633 USA and Canada • TEL: 847.866.6030 outside USA and Canada • FAX: 847.492.1242  
 E-mail us at [service@CENiehoff.com](mailto:service@CENiehoff.com)